

## DORMA ES84 & ES86 all-in-one centerline latch entry electric strikes combine several requested key features.

Standard features include a multi voltage single solenoid, selectable lock mode (no tools necessary), horizontal adjustment, and plug-in wire connectors. An optional monitor switch is also available. The ES84 low profile version accepts 1/2" or 5/8" latch projection (perfect for narrow stile aluminum frames). The ES86 standard version is ideal when you require 3/4" latch projection.

Not only will installations be faster and easier, distributors and installers can cut their strike inventory significantly, because one strike does it all.

### DORMA Solutions

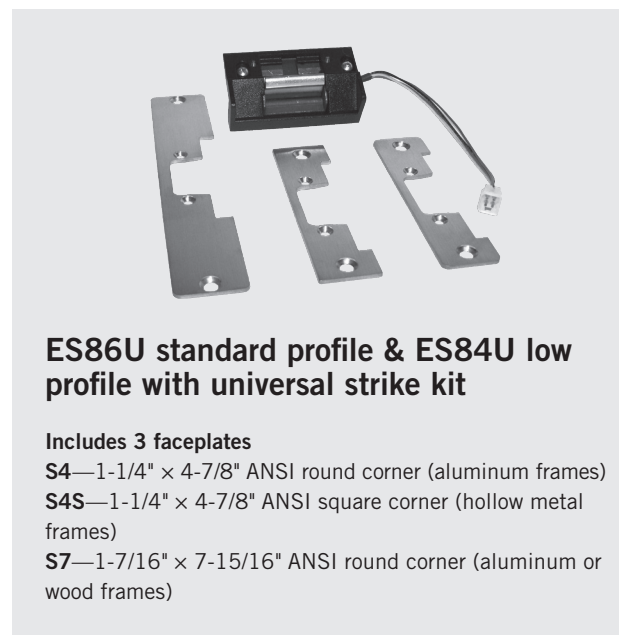
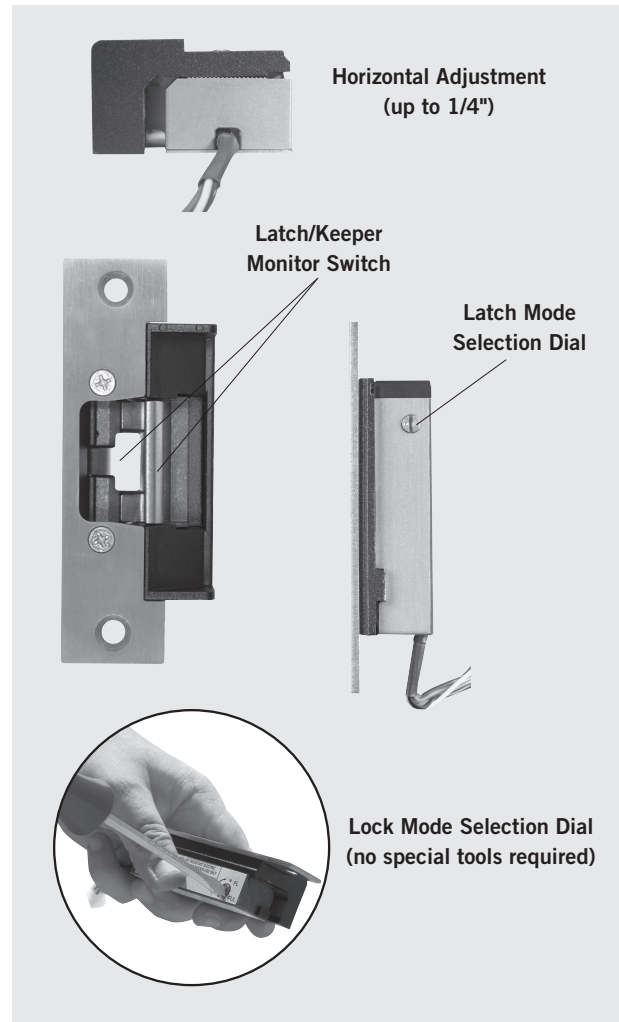
- 1500 lb (680 kg) holding force
- Field selectable lock mode—choose fail secured or fail safe with the turn of a dial (fail safe mode requires DC voltage)
- Field selectable voltage input—accommodates 12 or 24 VDC and 12 to 24 VAC (even 16 VAC) in one strike
- 1/4" horizontal adjustment
- Dual monitor switch (optional)
- Modular **plug-in** wire connectors for fast hook-up
- Modular faceplate designs for a variety of frame types and cut outs
- 1-3/16" (ES86), 1-1/16" (ES84) frame depth
- Universal strike kit includes 3 faceplates—S4, S4S, S7
- 630 stainless steel faceplate
- Non-handed
- Trim plate included

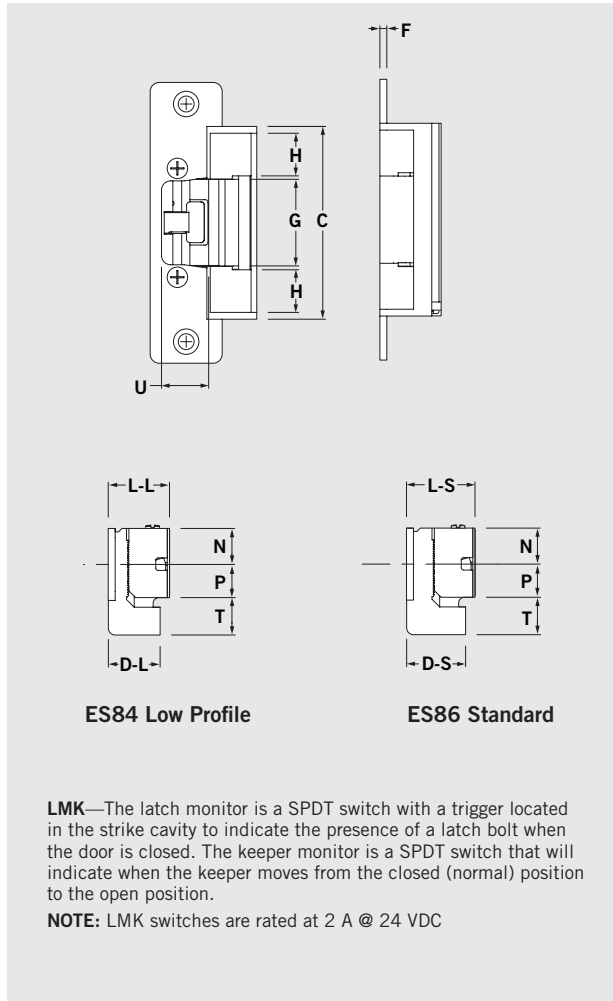
### Listings & Approvals

- UL/CUL listed under their continuing reinspection programs and conforms to standards UL 1034 and CVXY for burglary resistant electric door strikes
- ANSI/BHMA 156.31, Grade 1 pending
- CSFM pending
- Contributes to U.S. Green Building Council, LEED® MR Credits 2.1, 4.1, 4.2, and 5.1

### Options & Accessories

- **LKM**—Latch/keeper monitor switch (status)
- **84LE1/2/3 & 86LE1/2/3**—Low or standard profile lip extension kit for retrofit (specify 1, 2, 3)
- **84JIG/86JIG**—Low or standard profile frame prep jig
- **84HK/86HK**—Standard strike mounting hardware kit
- **86LG**—High profile latch guard
- **84TPS**—Low profile trim plate—5 pack
- **86TPS**—Standard profile trim plate—5 pack





Specifications	ES84/86
Mode Field Selectable	FUL/FL
Voltage Field Selectable	12 VDC, 24 VDC or 12/24 VAC
Duty	Continuous or intermittent*
Sound	Silent or Buzz
Amps**	.375, 190 or .280-.565
Ohms†	37 or 148

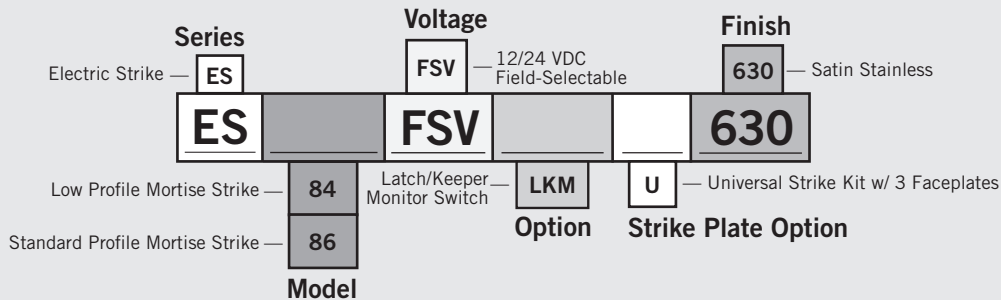
\*Intermittent duty = energized less than 1 minute with duty ratio 1:5.  
Continuous duty = energized 1 minute or more

\*\*Ratings are based on maximum current draw at +10°C and include initial power-up current draw.

†Nominal resistance at +25°C ± 7% tolerance.

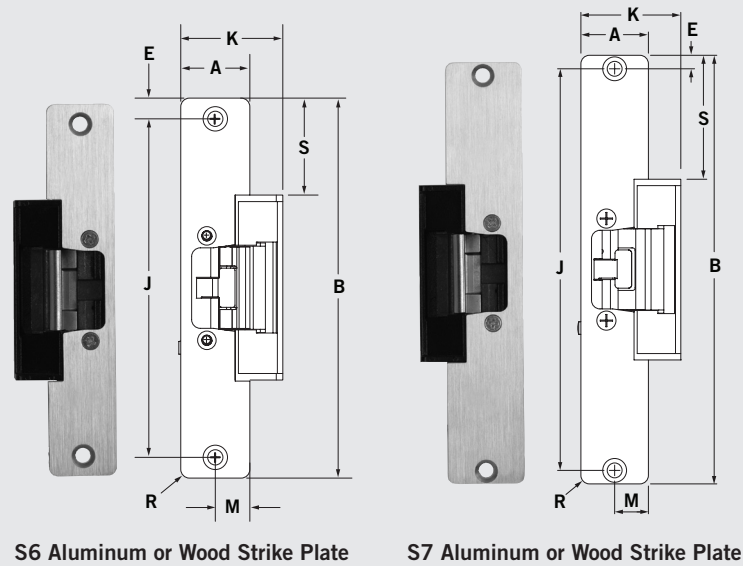
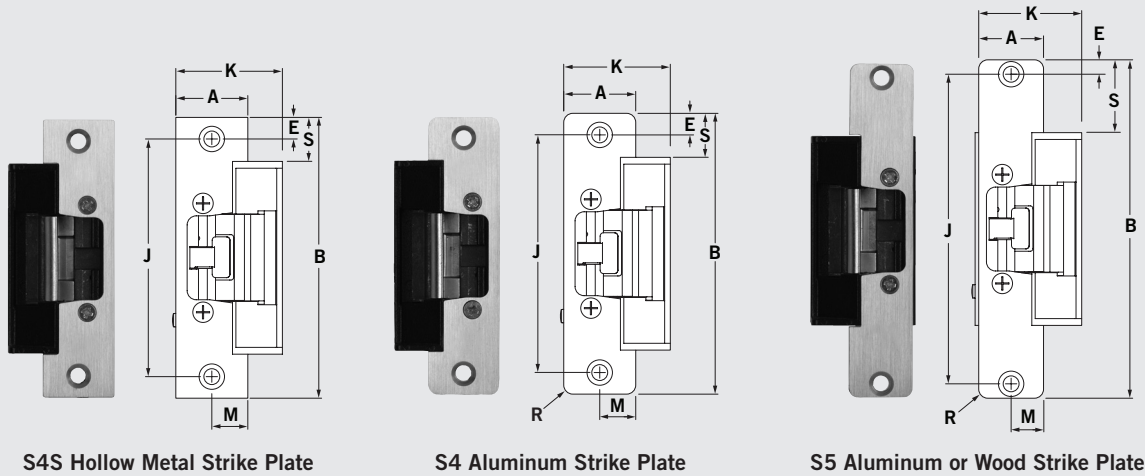
Dimensions	ES84	ES86
<b>C</b>	3-11/32" (84.9 mm)	3-11/32" (84.9 mm)
<b>D-S</b>	N/A	1-5/32" (29.4 mm)
<b>D-L</b>	1-1/16" (27 mm)	N/A
<b>F</b>	1/8" (3.2 mm)	1/8" (3.2 mm)
<b>G</b>	1-1/2" (38.0 mm)	1-1/2" (38.1 mm)
<b>H</b>	47/64" (18.7 mm)	47/64" (18.7 mm)
<b>L-S</b>	N/A	1-3/16" (30.2 mm)
<b>L-L</b>	1-1/16" (27 mm)	N/A
<b>N</b>	5/8" (15.9 mm)	5/8" (15.9 mm)
<b>P</b>	37/64" (14.7 mm)	37/64" (14.7 mm)
<b>T</b>	Default 21/32" (16.7 mm) Min 1/2" (12.7 mm) Max 49/64" (19.5 mm)	Default 21/32" (16.7 mm) Min 1/2" (12.7 mm) Max 49/64" (19.5 mm)
<b>U</b>	Default 13/16" (20.6 mm) Min 45/64" (17.9 mm) Max 31/32" (24.6 mm)	Default 13/16" (20.6 mm) Min 45/64" (17.9 mm) Max 31/32" (24.6 mm)

**How to Order ES84/ES86 Series**



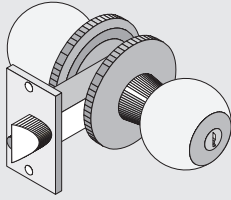
**Strike Plate Options**

(ES86 shown)

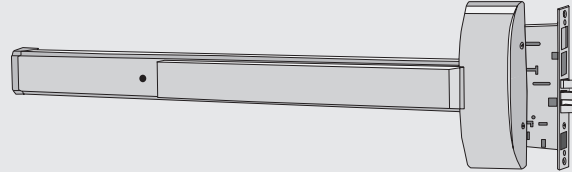


Dimensions	S4S	S4	S5	S6	S7
A	1-1/4" (31.8 mm)	1-1/4" (31.8 mm)	1-1/8" (28.6 mm)	1-1/4" (31.8 mm)	1-7/16" (36.5 mm)
B	4-7/8" (123.8)	4-7/8" (123.8)	5-7/8" (149.2)	6-7/8" (174.6)	7-15/16" (201.6)
E	3/8" (9.5 mm)	3/8" (9.5 mm)	1/4" (6.4 mm)	3/8" (9.5 mm)	1/4" (6.4 mm)
J	4-1/8" (104.8 mm)	4-1/8" (104.8 mm)	5-3/8" (136.5 mm)	6-1/8" (155.6 mm)	7-7/16" (188.9 mm)
K	1-27/32" (46.8 mm)	1-27/32" (46.8 mm)	1-25/32" (45.3 mm)	1-51/64" (45.6 mm)	1-15/16" (49.26 mm)
M	5/8" (15.9 mm)	5/8" (15.9 mm)	35/64" (13.9 mm)	5/8" (15.9 mm)	23/32" (18.3 mm)
R	N/A	5/32" (4 mm)	5/32" (4 mm)	5/32" (4 mm)	5/32" (4 mm)
S	49/64" (19.5)	49/64" (19.5)	1-17/64" (32.2)	1-49/64" (44.9)	2-9/32" (57.9)

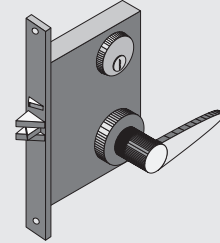
**Door Lock Type**



**Cylindrical  
(ES84)**

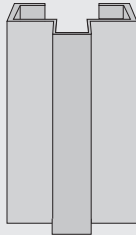


**Mortise Exit Device  
(ES86)**



**Mortise  
(ES86)**

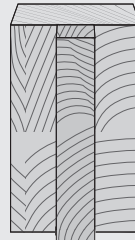
**Door Frame Type**



**Hollow Metal  
(ES84/ES86)**



**Aluminum  
(ES84)**



**Wood  
(ES84/ES86)**

DORMA also offers a complete line of Electromagnetic Locks, Electric Strikes, Door Controls, Power Supplies, Switches, Keypads & Readers, Exit Devices, Systems & Door Hardware.

**DORMA Americas**  
www.dorma-usa.com

**DORMA Architectural Hardware**  
DORMA Drive, Drawer AC  
Reamstown, PA 17567-0411  
Telephone: (800) 523-8483  
Facsimile: (800) 274-9724  
E-mail: archdw@dorma-usa.com

**DORMA Canada**  
1680 Courtney Park Drive, Unit 13  
Mississauga, Ontario L5T 1R4  
Telephone: (800) 387-4938  
Facsimile: (905) 670-5850  
E-mail: sales@dormacanada.com

**DORMA Mexico, S. de R.L. de C.V.**  
Astrónomos 28, Col. Escandón  
México, D.F. 11800  
Del. Miguel Hidalgo  
Telephone: (52+55) 5272-6937  
Facsimile: (52+55) 5272-6948  
E-mail: operacion@dorma.com.mx